



Filters

450 kHz Search-Stop Signal Detection - LZU Ceramic Filter / 陶瓷滤波器

LZU 450 kHz search-stop signal detection are specifically designed for signal detection circuitry used in applications such as that found in the search-stop functions of electronically tuned radios. Center frequency is also available in LTZ series a range of 450 kHz ~ 470 kHz.

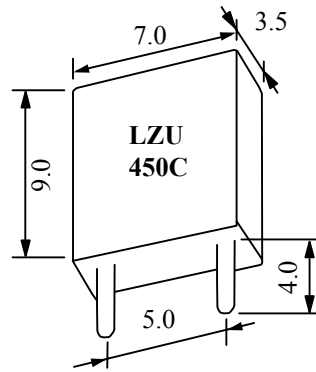
▶ LZU for Search-stop Signal Detection (Murata BFU Series Compatible)

450 kHz

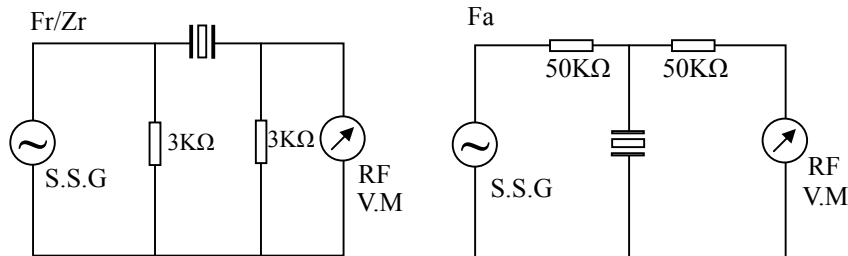
Ceramic LZU Filters Technical Characteristics

Part Number	Resonant Frequency (kHz)	Resonant Resistance (Ω) (max)	Band Width(fa-fr) (kHz)	Application
LZU450C	450 \pm 1.0	20	14 \pm 2	IF signal detection
LZU450C4N	450 \pm 0.8	30	9 \pm 2	
LZU450K3	450 \pm 1.0	30	27.5 \pm 4.5	

▶ Ceramic LZU Filter Dimensions



▶ Ceramic LZU Filter Test Circuit



▶ How to Order



- ❶ Part Number
- ❷ Packaging